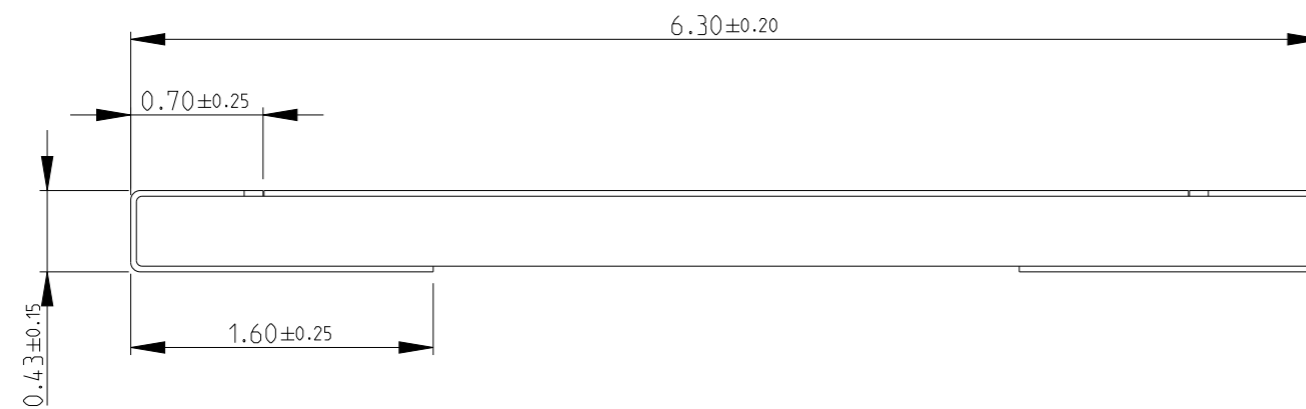


REVISIONS

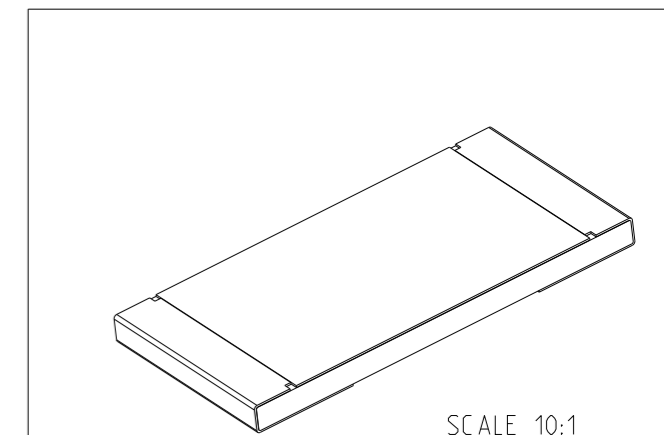
P	LTR	DESCRIPTION	DATE	DWN	APVD
	A	NEW DRAWING	05JUL2022	LG	AP

NOTES:

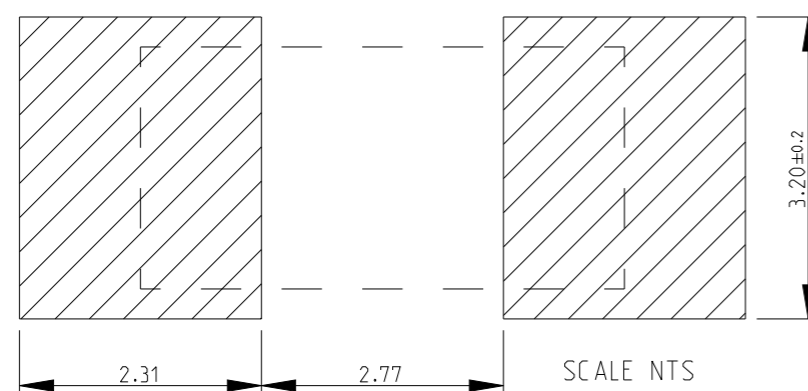
1. PCB WITH A COPPER THICKNESS OF TWO OUNCES SHOULD BE USED.
2. FOR FURTHER INFORMATION SEE DATA SHEET FOR 3504 SERIES ALUMINUM NITRIDE THIN FILM POWER RESISTORS.



RoHS Compliant

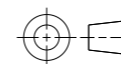


RECOMMENDED LAND PATTERN



THIS DRAWING IS A CONTROLLED DOCUMENT.

DIMENSIONS:
mm



TOLERANCES UNLESS OTHERWISE SPECIFIED:

0 PLC	±0.5
1 PLC	±0.2
2 PLC	±0.1
3 PLC	±
4 PLC	±
ANGLES	±5°

MATERIAL

-

FINISH

-

DWN 05JUL2022

LALITH G

CHK 05JUL2022

ALLAN. P

APVD 05JUL2022

ALLAN. P

PRODUCT SPEC

-

APPLICATION SPEC

-

WEIGHT

-

CUSTOMER DRAWING

NAME
ALUMINIUM NITRIDE THIN FILM POWER RESISTOR TYPE 3504 SERIES



TE Connectivity

SIZE CAGE CODE DRAWING NO RESTRICTED TO

A3 00779 C=2176529 -

SCALE 25:1 SHEET 1 OF 3 REV A

REVISIONS

P	LTR	DESCRIPTION	DATE	DWN	APVD
	-	SEE SHEET 1	-	-	-

SCHEDULE

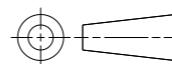
TCPN	CATALOGUE NUMBER	PART DESCRIPTION	PART STATUS
2176529-1	3504G3A51R1FTDF	3504G 3A 51R1 1% 1K RL	PRODUCTION
2176529-2	3504G3A52R3FTDF	3504G 3A 52R3 1% 1K RL	PRODUCTION
2176529-3	3504G3A53R6FTDF	3504G 3A 53R6 1% 1K RL	PRODUCTION
2176529-4	3504G3A54R9FTDF	3504G 3A 54R9 1% 1K RL	PRODUCTION
2176529-5	3504G3A56R2FTDF	3504G 3A 56R2 1% 1K RL	PRODUCTION
2176529-6	3504G3A57R6FTDF	3504G 3A 57R6 1% 1K RL	PRODUCTION
2176529-7	3504G3A59RFTDF	3504G 3A 59R 1% 1K RL	PRODUCTION
2176529-8	3504G3A60R4FTDF	3504G 3A 60R4 1% 1K RL	PRODUCTION
2176529-9	3504G3A61R9FTDF	3504G 3A 61R9 1% 1K RL	PRODUCTION
1-2176529-0	3504G3A63R4FTDF	3504G 3A 63R4 1% 1K RL	PRODUCTION
1-2176529-1	3504G3A64R9FTDF	3504G 3A 64R9 1% 1K RL	PRODUCTION
1-2176529-2	3504G3A66R5FTDF	3504G 3A 66R5 1% 1K RL	PRODUCTION
1-2176529-3	3504G3A68R1FTDF	3504G 3A 68R1 1% 1K RL	PRODUCTION
1-2176529-4	3504G3A69R8FTDF	3504G 3A 69R8 1% 1K RL	PRODUCTION
1-2176529-5	3504G3A71R5FTDF	3504G 3A 71R5 1% 1K RL	PRODUCTION
1-2176529-6	3504G3A73R2FTDF	3504G 3A 73R2 1% 1K RL	PRODUCTION
1-2176529-7	3504G3A75RFTDF	3504G 3A 75R 1% 1K RL	PRODUCTION
1-2176529-8	3504G3A76R8FTDF	3504G 3A 76R8 1% 1K RL	PRODUCTION
1-2176529-9	3504G3A78R7FTDF	3504G 3A 78R7 1% 1K RL	PRODUCTION
2-2176529-0	3504G3A80R6FTDF	3504G 3A 80R6 1% 1K RL	PRODUCTION
2-2176529-1	3504G3A82R5FTDF	3504G 3A 82R5 1% 1K RL	PRODUCTION
2-2176529-2	3504G3A84R5FTDF	3504G 3A 84R5 1% 1K RL	PRODUCTION
2-2176529-3	3504G3A86R6FTDF	3504G 3A 86R6 1% 1K RL	PRODUCTION
2-2176529-4	3504G3A88R7FTDF	3504G 3A 88R7 1% 1K RL	PRODUCTION
2-2176529-5	3504G3A90R9FTDF	3504G 3A 90R9 1% 1K RL	PRODUCTION
2-2176529-6	3504G3A93R1FTDF	3504G 3A 93R1 1% 1K RL	PRODUCTION
2-2176529-7	3504G3A95R3FTDF	3504G 3A 95R3 1% 1K RL	PRODUCTION
2-2176529-8	3504G3A97R6FTDF	3504G 3A 97R6 1% 1K RL	PRODUCTION
2-2176529-9	3504G3A100RFTDF	3504G 3A 100R 1% 1K RL	PRODUCTION
3-2176529-0	3504G3A102RFTDF	3504G 3A 102R 1% 1K RL	PRODUCTION

SCHEDULE

TCPN	CATALOGUE NUMBER	PART DESCRIPTION	PART STATUS
3-2176529-1	3504G3A105RFTDF	3504G 3A 105R 1% 1K RL	PRODUCTION
3-2176529-2	3504G3A107RFTDF	3504G 3A 107R 1% 1K RL	PRODUCTION
3-2176529-3	3504G3A110RFTDF	3504G 3A 110R 1% 1K RL	PRODUCTION
3-2176529-4	3504G3A113RFTDF	3504G 3A 113R 1% 1K RL	PRODUCTION
3-2176529-5	3504G3A115RFTDF	3504G 3A 115R 1% 1K RL	PRODUCTION
3-2176529-6	3504G3A118RFTDF	3504G 3A 118R 1% 1K RL	PRODUCTION
3-2176529-7	3504G3A121RFTDF	3504G 3A 121R 1% 1K RL	PRODUCTION
3-2176529-8	3504G3A124RFTDF	3504G 3A 124R 1% 1K RL	PRODUCTION
3-2176529-9	3504G3A127RFTDF	3504G 3A 127R 1% 1K RL	PRODUCTION
4-2176529-0	3504G3A130RFTDF	3504G 3A 130R 1% 1K RL	PRODUCTION
4-2176529-1	3504G3A133RFTDF	3504G 3A 133R 1% 1K RL	PRODUCTION
4-2176529-2	3504G3A137RFTDF	3504G 3A 137R 1% 1K RL	PRODUCTION
4-2176529-3	3504G3A140RFTDF	3504G 3A 140R 1% 1K RL	PRODUCTION
4-2176529-4	3504G3A143RFTDF	3504G 3A 143R 1% 1K RL	PRODUCTION
4-2176529-5	3504G3A147RFTDF	3504G 3A 147R 1% 1K RL	PRODUCTION
4-2176529-6	3504G3A150RFTDF	3504G 3A 150R 1% 1K RL	PRODUCTION
4-2176529-7	3504G3A154RFTDF	3504G 3A 154R 1% 1K RL	PRODUCTION
4-2176529-8	3504G3A158RFTDF	3504G 3A 158R 1% 1K RL	PRODUCTION
4-2176529-9	3504G3A162RFTDF	3504G 3A 162R 1% 1K RL	PRODUCTION
5-2176529-0	3504G3A165RFTDF	3504G 3A 165R 1% 1K RL	PRODUCTION
5-2176529-1	3504G3A169RFTDF	3504G 3A 169R 1% 1K RL	PRODUCTION
5-2176529-2	3504G3A174RFTDF	3504G 3A 174R 1% 1K RL	PRODUCTION
5-2176529-3	3504G3A178RFTDF	3504G 3A 178R 1% 1K RL	PRODUCTION
5-2176529-4	3504G3A182RFTDF	3504G 3A 182R 1% 1K RL	PRODUCTION
5-2176529-5	3504G3A187RFTDF	3504G 3A 187R 1% 1K RL	PRODUCTION
5-2176529-6	3504G3A191RFTDF	3504G 3A 191R 1% 1K RL	PRODUCTION
5-2176529-7	3504G3A196RFTDF	3504G 3A 196R 1% 1K RL	PRODUCTION
5-2176529-8	3504G3A200RFTDF	3504G 3A 200R 1% 1K RL	PRODUCTION
5-2176529-9	3504G3A205RFTDF	3504G 3A 205R 1% 1K RL	PRODUCTION
6-2176529-0	3504G3A210RFTDF	3504G 3A 210R 1% 1K RL	PRODUCTION

THIS DRAWING IS A CONTROLLED DOCUMENT.

DIMENSIONS:
mm



TOLERANCES UNLESS OTHERWISE SPECIFIED:

0 PLC	±0.5
1 PLC	±0.2
2 PLC	±0.1
3 PLC	±
4 PLC	±
ANGLES	±5°
FINISH	-

MATERIAL
-

DWN LALITH G 05JUL2022

CHK ALLAN. P 05JUL2022

APVD ALLAN. P 05JUL2022

PRODUCT SPEC

APPLICATION SPEC

WEIGHT -

CUSTOMER DRAWING



TE Connectivity

NAME
ALUMINIUM NITRIDE THIN FILM POWER RESISTOR TYPE 3504 SERIES

SIZE CAGE CODE DRAWING NO RESTRICTED TO

A3 00779 C-2176529

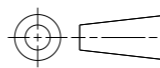
SCALE 25:1 SHEET 2 OF 3 REV A

REVISIONS

P	LTR	DESCRIPTION	DATE	DWN	APVD
	-	SEE SHEET 1	-	-	-

SCHEDULE					
TCPN	CATALOGUE NUMBER	PART DESCRIPTION	PART STATUS		
6-2176529-1	3504G3A215RFTDF	3504G 3A 215R 1% 1K RL	PRODUCTION		
6-2176529-2	3504G3A221RFTDF	3504G 3A 221R 1% 1K RL	PRODUCTION		
6-2176529-3	3504G3A226RFTDF	3504G 3A 226R 1% 1K RL	PRODUCTION		
6-2176529-4	3504G3A232RFTDF	3504G 3A 232R 1% 1K RL	PRODUCTION		
6-2176529-5	3504G3A237RFTDF	3504G 3A 237R 1% 1K RL	PRODUCTION		
6-2176529-6	3504G3A243RFTDF	3504G 3A 243R 1% 1K RL	PRODUCTION		
6-2176529-7	3504G3A249RFTDF	3504G 3A 249R 1% 1K RL	PRODUCTION		
6-2176529-8	3504G3A255RFTDF	3504G 3A 255R 1% 1K RL	PRODUCTION		
6-2176529-9	3504G3A261RFTDF	3504G 3A 261R 1% 1K RL	PRODUCTION		
7-2176529-0	3504G3A267RFTDF	3504G 3A 267R 1% 1K RL	PRODUCTION		
7-2176529-1	3504G3A274RFTDF	3504G 3A 274R 1% 1K RL	PRODUCTION		
7-2176529-2	3504G3A280RFTDF	3504G 3A 280R 1% 1K RL	PRODUCTION		
7-2176529-3	3504G3A287RFTDF	3504G 3A 287R 1% 1K RL	PRODUCTION		
7-2176529-4	3504G3A294RFTDF	3504G 3A 294R 1% 1K RL	PRODUCTION		
7-2176529-5	3504G3A301RFTDF	3504G 3A 301R 1% 1K RL	PRODUCTION		
7-2176529-6	3504G3A309RFTDF	3504G 3A 309R 1% 1K RL	PRODUCTION		
7-2176529-7	3504G3A316RFTDF	3504G 3A 316R 1% 1K RL	PRODUCTION		
7-2176529-8	3504G3A324RFTDF	3504G 3A 324R 1% 1K RL	PRODUCTION		
7-2176529-9	3504G3A332RFTDF	3504G 3A 332R 1% 1K RL	PRODUCTION		
8-2176529-0	3504G3A340RFTDF	3504G 3A 340R 1% 1K RL	PRODUCTION		
8-2176529-1	3504G3A348RFTDF	3504G 3A 348R 1% 1K RL	PRODUCTION		
8-2176529-2	3504G3A357RFTDF	3504G 3A 357R 1% 1K RL	PRODUCTION		
8-2176529-3	3504G3A365RFTDF	3504G 3A 365R 1% 1K RL	PRODUCTION		
8-2176529-4	3504G3A374RFTDF	3504G 3A 374R 1% 1K RL	PRODUCTION		
8-2176529-5	3504G3A383RFTDF	3504G 3A 383R 1% 1K RL	PRODUCTION		
8-2176529-6	3504G3A392RFTDF	3504G 3A 392R 1% 1K RL	PRODUCTION		
8-2176529-7	3504G3A402RFTDF	3504G 3A 402R 1% 1K RL	PRODUCTION		
8-2176529-8	3504G3A412RFTDF	3504G 3A 412R 1% 1K RL	PRODUCTION		
8-2176529-9	3504G3A422RFTDF	3504G 3A 422R 1% 1K RL	PRODUCTION		
9-2176529-0	3504G3A432RFTDF	3504G 3A 432R 1% 1K RL	PRODUCTION		
9-2176529-1	3504G3A442RFTDF	3504G 3A 442R 1% 1K RL	PRODUCTION		
9-2176529-2	3504G3A453RFTDF	3504G 3A 453R 1% 1K RL	PRODUCTION		
9-2176529-3	3504G3A464RFTDF	3504G 3A 464R 1% 1K RL	PRODUCTION		
9-2176529-4	3504G3A475RFTDF	3504G 3A 475R 1% 1K RL	PRODUCTION		
9-2176529-5	3504G3A487RFTDF	3504G 3A 487R 1% 1K RL	PRODUCTION		
9-2176529-6	3504G3A499RFTDF	3504G 3A 499R 1% 1K RL	PRODUCTION		
9-2176529-7	3504G3A511RFTDF	3504G 3A 511R 1% 1K RL	PRODUCTION		
9-2176529-8	3504G3A523RFTDF	3504G 3A 523R 1% 1K RL	PRODUCTION		
9-2176529-9	3504G3A536RFTDF	3504G 3A 536R 1% 1K RL	PRODUCTION		

THIS DRAWING IS A CONTROLLED DOCUMENT.

DIMENSIONS: mm		TOLERANCES UNLESS OTHERWISE SPECIFIED:	
		0 PLC	±0.5
		1 PLC	±0.2
		2 PLC	±0.1
		3 PLC	±
		4 PLC	±
MATERIAL		FINISH	
-		-	

DWN		05JUL2022	
LALITH G			
CHK		05JUL2022	
ALLAN. P			
APVD		05JUL2022	
ALLAN. P			
PRODUCT SPEC			
-			
APPLICATION SPEC			
-			
WEIGHT			
-			
CUSTOMER DRAWING			

DWN		05JUL2022	
LALITH G			
CHK		05JUL2022	
ALLAN. P			
APVD		05JUL2022	
ALLAN. P			
PRODUCT SPEC			
-			
APPLICATION SPEC			
-			
WEIGHT			
-			
CUSTOMER DRAWING			

		TE Connectivity	
		NAME	
ALUMINIUM NITRIDE THIN FILM POWER RESISTOR TYPE 3504 SERIES			
SIZE	CAGE CODE	DRAWING NO	RESTRICTED TO
A3	00779	©=2176529	-
SCALE		SHEET	REV
25:1		3 OF 3	A

Mouser Electronics

Authorized Distributor

Click to View Pricing, Inventory, Delivery & Lifecycle Information:

TE Connectivity:

[1-2176529-0](#) [1-2176529-1](#) [1-2176529-2](#) [1-2176529-3](#) [1-2176529-4](#) [1-2176529-5](#) [1-2176529-6](#) [1-2176529-7](#) [1-2176529-8](#) [1-2176529-9](#) [2176529-1](#) [2176529-2](#) [2176529-3](#) [2176529-4](#) [2176529-5](#) [2176529-6](#) [2176529-7](#) [2176529-8](#) [2176529-9](#) [2-2176529-0](#) [2-2176529-1](#) [2-2176529-2](#) [2-2176529-3](#) [2-2176529-4](#) [2-2176529-5](#) [2-2176529-6](#) [2-2176529-7](#) [2-2176529-8](#) [2-2176529-9](#) [3-2176529-0](#) [3-2176529-1](#) [3-2176529-2](#) [3-2176529-3](#) [3-2176529-4](#) [3-2176529-5](#) [3-2176529-6](#) [3-2176529-7](#) [3-2176529-8](#) [3-2176529-9](#) [4-2176529-0](#) [4-2176529-1](#) [4-2176529-2](#) [4-2176529-3](#) [4-2176529-4](#) [4-2176529-5](#) [4-2176529-6](#) [4-2176529-7](#) [4-2176529-8](#) [4-2176529-9](#) [5-2176529-0](#) [5-2176529-1](#) [5-2176529-2](#) [5-2176529-3](#) [5-2176529-4](#) [5-2176529-5](#) [5-2176529-6](#) [5-2176529-7](#) [5-2176529-8](#) [5-2176529-9](#) [6-2176529-0](#) [6-2176529-1](#) [6-2176529-2](#) [6-2176529-3](#) [6-2176529-4](#) [6-2176529-5](#) [6-2176529-6](#) [6-2176529-7](#) [6-2176529-8](#) [6-2176529-9](#) [7-2176529-0](#) [7-2176529-1](#) [7-2176529-2](#) [7-2176529-3](#) [7-2176529-4](#) [7-2176529-5](#) [7-2176529-6](#) [7-2176529-7](#) [7-2176529-8](#) [7-2176529-9](#) [8-2176529-0](#) [8-2176529-1](#) [8-2176529-2](#) [8-2176529-3](#) [8-2176529-4](#) [8-2176529-5](#) [8-2176529-6](#) [8-2176529-7](#) [8-2176529-8](#) [8-2176529-9](#) [9-2176529-0](#) [9-2176529-1](#) [9-2176529-2](#) [9-2176529-3](#) [9-2176529-4](#) [9-2176529-5](#) [9-2176529-6](#) [9-2176529-7](#) [9-2176529-8](#) [9-2176529-9](#)