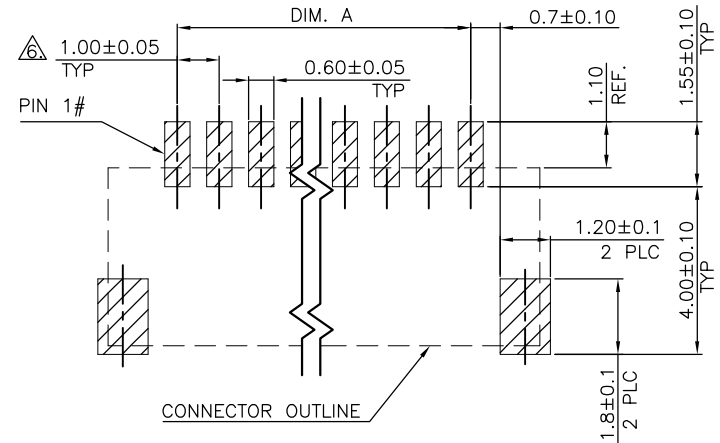
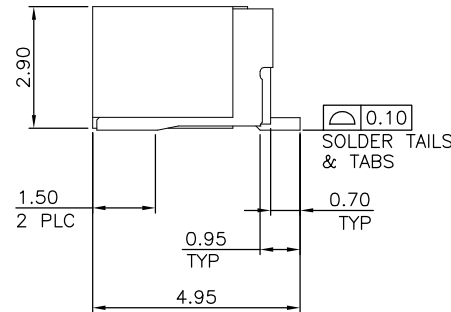
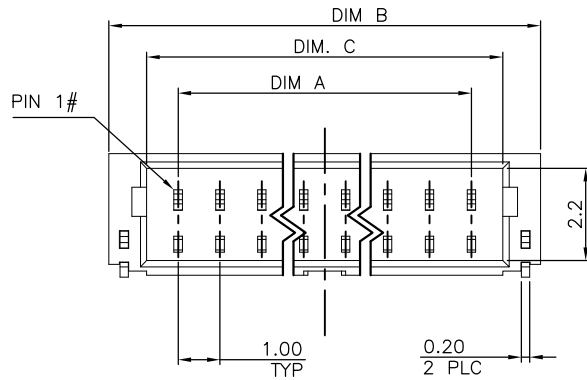
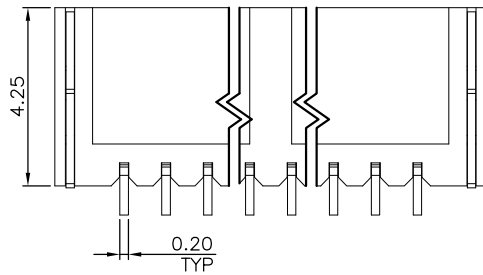


| P  | LTR | DESCRIPTION               | DATE    | DWN | APVD |
|----|-----|---------------------------|---------|-----|------|
| B1 |     | REVISED PER ECO-11-005301 | 07MAR11 | RK  | HMR  |



RECOMMENDED PCB LAYOUT  
(COMPONENT SIDE) TOLERANCE: ±0.05



- NOTE:
- MATERIAL:  
HOUSING: THERMOPLASTIC WITH 30% G/F, UL 94V-0, NATURE COLOR.  
CONTACTS: PHOSPHOR BRONZE.  
TABS: BRASS.
  - FINISH:  
CONTACT: 3.048 μm (120 μ") MIN. MATTE-TIN OVER  
1.27 μm (50 μ") MIN. NICKEL ON ENTIRE CONTACT.  
TABS: 3.048 μm (120 μ") MIN. MATTE-TIN OVER  
1.27 μm (50 μ") MIN. NICKEL ON ENTIRE CONTACT.
  - REFLOW SOLDER CAPABLE TO 260°C PER TE CONNECTIVITY SPEC. 109-201, CONDITION B.
  - NO TE LOGO AND DATE CODE ON THE PRODUCT.
  - PART NO. OF RECEPTACLE CONTACT & HOUSING (BASE NO.#): 1734597 & 1470364.
- △ NO ACCUMULATE TOLERANCE.

| WEIGHT | C     | B     | A     | NO. OF CONTACTS | PART NUMBER |
|--------|-------|-------|-------|-----------------|-------------|
| 0.21g  | 15.50 | 17.30 | 14.00 | 15              | 1-1734709-5 |
| 0.20g  | 14.50 | 16.30 | 13.00 | 14              | 1-1734709-4 |
| 0.19g  | 13.50 | 15.30 | 12.00 | 13              | 1-1734709-3 |
| 0.17g  | 12.50 | 14.30 | 11.00 | 12              | 1-1734709-2 |
| 0.16g  | 11.50 | 13.30 | 10.00 | 11              | 1-1734709-1 |
| 0.15g  | 10.50 | 12.30 | 9.00  | 10              | 1-1734709-0 |
| 0.14g  | 9.50  | 11.30 | 8.00  | 9               | 1734709-9   |
| 0.12g  | 8.50  | 10.30 | 7.00  | 8               | 1734709-8   |
| 0.11g  | 7.50  | 9.30  | 6.00  | 7               | 1734709-7   |
| 0.10g  | 6.50  | 8.30  | 5.00  | 6               | 1734709-6   |
| 0.09g  | 5.50  | 7.30  | 4.00  | 5               | 1734709-5   |
| 0.08g  | 4.50  | 6.30  | 3.00  | 4               | 1734709-4   |
| 0.07g  | 3.50  | 5.30  | 2.00  | 3               | 1734709-3   |
| 0.05g  | 2.50  | 4.30  | 1.00  | 2               | 1734709-2   |

THIS DRAWING IS A CONTROLLED DOCUMENT.

DWN: F. YANG 10APR2009  
CHK: S. CHIEN 10APR2009  
APVD: W. KODAMA 10APR2009

NAME: W. KODAMA

PRODUCT SPEC: 108-57264

QUALIFICATION TEST REPORT: 501-57283

WEIGHT: SEE TABLE

CUSTOMER DRAWING

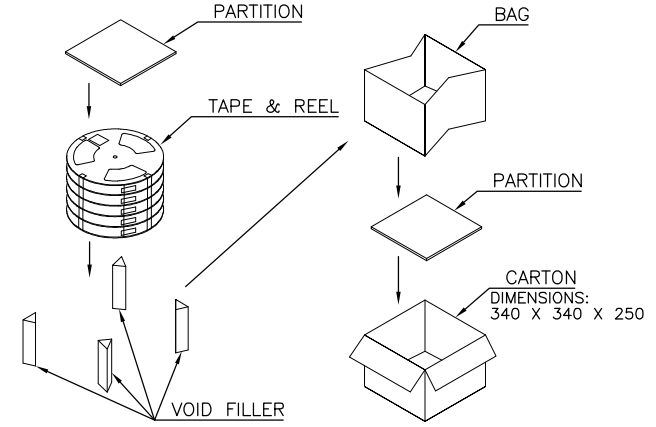
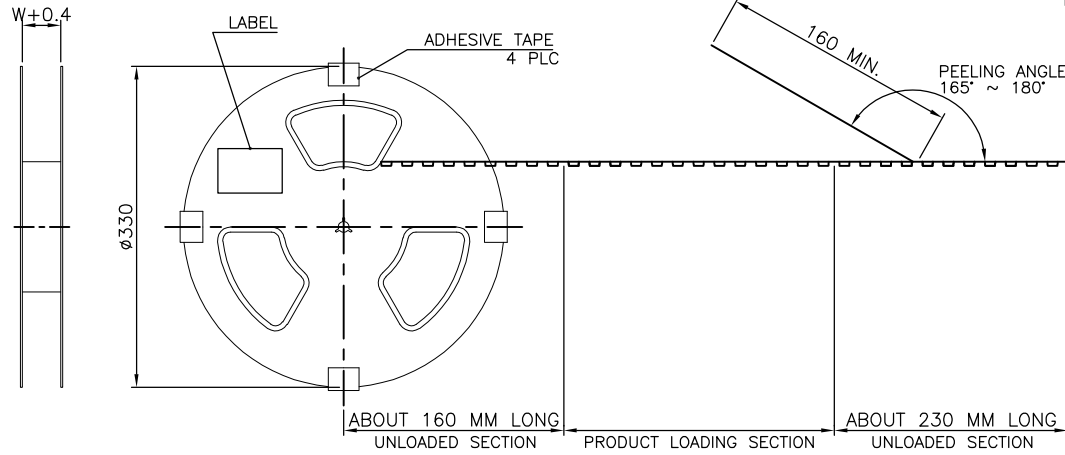
TE Connectivity

WIRE TO BOARD CONNECTOR  
SIDE ENTRY, SINGLE ROW, SMT TYPE

SIZE: A3 CAGE CODE: 00779 DRAWING NO: 1734709 RESTRICTED TO: -

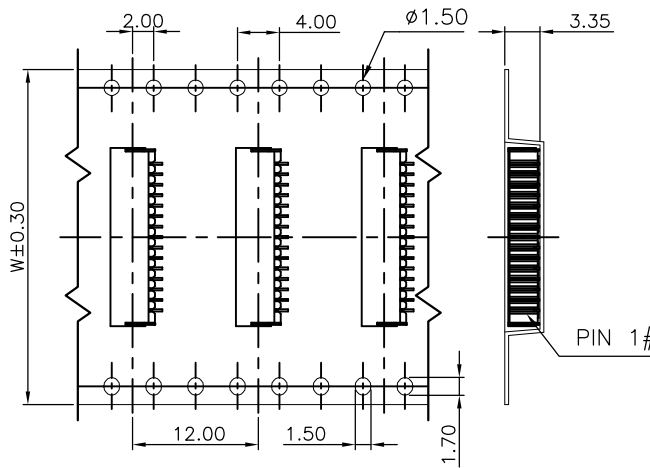
SCALE: - SHEET: 1 OF 3 REV: B1

| P | LTR | DESCRIPTION  | DATE | DWN | APVD |
|---|-----|--------------|------|-----|------|
| - | -   | SEE SHEET 1. | -    | -   | -    |

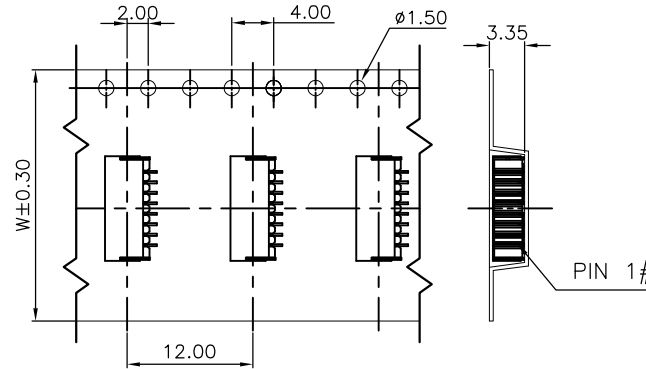


PULL OUT DIRECTION →

PULL OUT DIRECTION →



CARRIER FOR 15 PIN



CARRIER FOR 2 TO 5 PIN & 7 TO 14 PIN

| PCS/REEL | REELS/CARTON | QUANTITY | DIM W | G/W (KG) | N/W (KG) | NO. OF POS. |
|----------|--------------|----------|-------|----------|----------|-------------|
| 1500     | 6            | 9000     | 32    | 5.48     | 1.89     | 15          |
|          |              |          |       | 5.58     | 2.10     | 14          |
|          |              |          |       | 5.48     | 2.00     | 13          |
|          |              |          |       | 5.27     | 1.79     | 12          |
|          |              |          |       | 5.16     | 1.68     | 11          |
|          |              |          |       | 5.06     | 1.58     | 10          |
| 10       | 10500        | 24       | 4.95  | 1.47     | 09       |             |
|          |              |          | 4.66  | 1.26     | 08       |             |
|          |              |          | 4.64  | 1.16     | 07       |             |
| 15000    | 16           | 16       | 5.75  | 1.35     | 05       |             |
|          |              |          | 5.60  | 1.20     | 04       |             |
|          |              |          | 5.45  | 1.05     | 03       |             |
| 5.15     | 0.75         | 02       |       |          |          |             |

|  |  |                  |                           |        |               |
|--|--|------------------|---------------------------|--------|---------------|
| THIS DRAWING IS A CONTROLLED DOCUMENT. |  | DWN              | CHK                       | APVD   | NAME          |
| DIMENSIONS: MM                         | TOLERANCES UNLESS OTHERWISE SPECIFIED: | PRODUCT SPEC     | QUALIFICATION TEST REPORT | WEIGHT | RESTRICTED TO |
|  | 0 PLC ±                                | -                | -                         | -      | -             |
|  | 1 PLC ±                                | -                | -                         | -      | -             |
|  | 2 PLC ±                                | -                | -                         | -      | -             |
|  | 3 PLC ±                                | -                | -                         | -      | -             |
|  | 4 PLC ±                                | -                | -                         | -      | -             |
|  | ANGLES ±                               | -                | -                         | -      | -             |
| MATERIAL                               | FINISH                                 | CUSTOMER DRAWING |                           |        |               |
| SEE NOTE                               | SEE NOTE                               | SCALE            | SHEET                     | REV    |               |



WIRE TO BOARD CONNECTOR  
SIDE ENTRY, SINGLE ROW, SMT TYPE

|      |           |            |               |
|------|-----------|------------|---------------|
| SIZE | CAGE CODE | DRAWING NO | RESTRICTED TO |
| A3   | 00779     | C-1734709  | -             |

THIS DRAWING IS UNPUBLISHED.

RELEASED FOR PUBLICATION

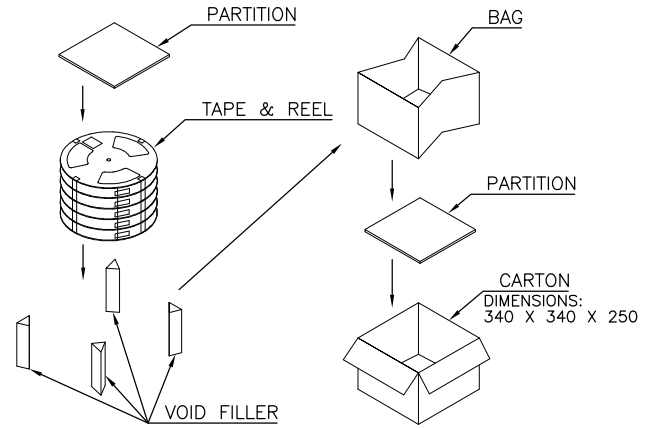
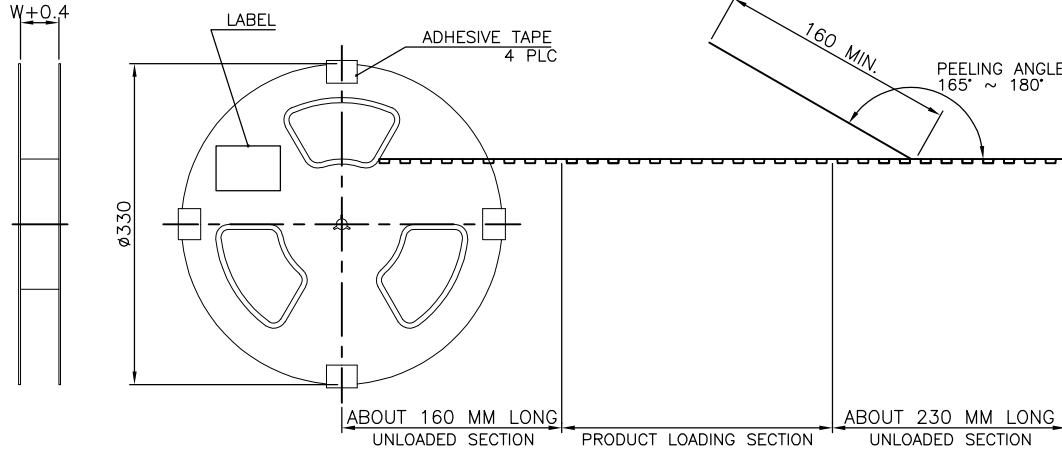
ALL RIGHTS RESERVED.

LOC DW

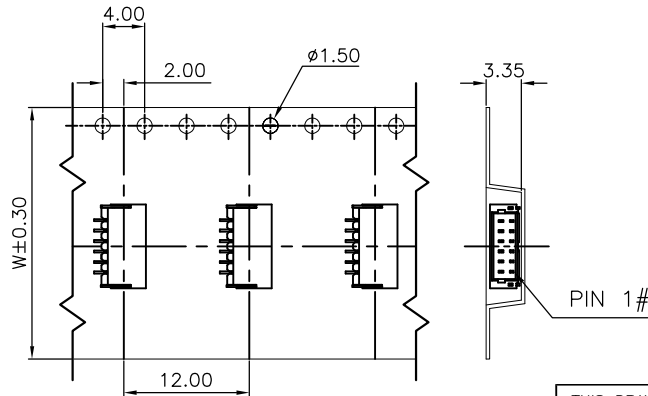
DIST

REVISIONS

| P | LTR | DESCRIPTION  | DATE | DWN | APVD |
|---|-----|--------------|------|-----|------|
| - | -   | SEE SHEET 1. | -    | -   | -    |




PULL OUT DIRECTION



CARRIER FOR 6 PIN

|          |              |          |       |          |          |             |
|----------|--------------|----------|-------|----------|----------|-------------|
| 2000     | 10           | 20000    | 16    | 6.40     | 2.00     | 06          |
| PCS/REEL | REELS/CARTON | QUANTITY | DIM W | G/W (KG) | N/W (KG) | NO. OF POS. |

|  |  |                           |   |       |           |        |
|--|--|---------------------------|---|-------|-----------|--------|
| THIS DRAWING IS A CONTROLLED DOCUMENT. |  | DWN                       |  TE Connectivity |       |           |        |
|  |  | CHK                       |   |       |           |        |
| DIMENSIONS: MM                         |  | APVD                      | NAME  |       |           |        |
| TOLERANCES UNLESS OTHERWISE SPECIFIED: |  | PRODUCT SPEC              | WIRE TO BOARD CONNECTOR<br>SIDE ENTRY, SINGLE ROW, SMT TYPE   |       |           |        |
| 0 PLC ± -                              |  | QUALIFICATION TEST REPORT | SIZE CAGE CODE DRAWING NO RESTRICTED TO   |       |           |        |
| 1 PLC ± -                              |  | WEIGHT                    | A3 00779  |       | C-1734709 |        |
| 2 PLC ± -                              |  | MATERIAL                  | CUSTOMER DRAWING  |       |           |        |
| 3 PLC ± -                              |  | FINISH                    | SCALE   | SHEET | 3 of 3    | REV B1 |
| 4 PLC ± -                              |  | SEE NOTE                  |   |       |           |        |
| ANGLES ± -                             |  | SEE NOTE                  |   |       |           |        |

# Mouser Electronics

Authorized Distributor

Click to View Pricing, Inventory, Delivery & Lifecycle Information:

[TE Connectivity:](#)

[1734709-4](#)